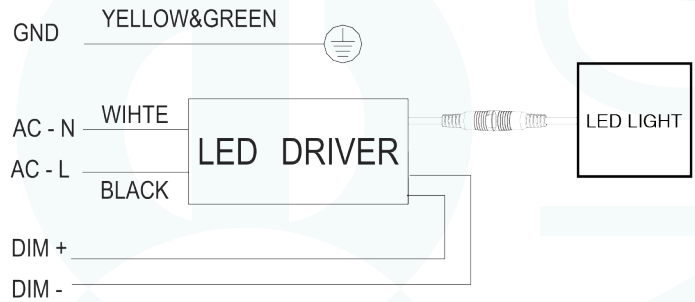
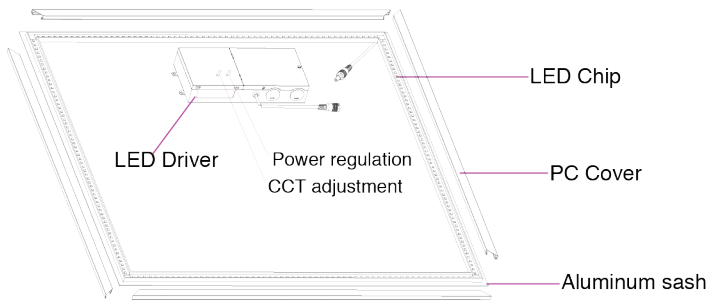


## MOUNTING

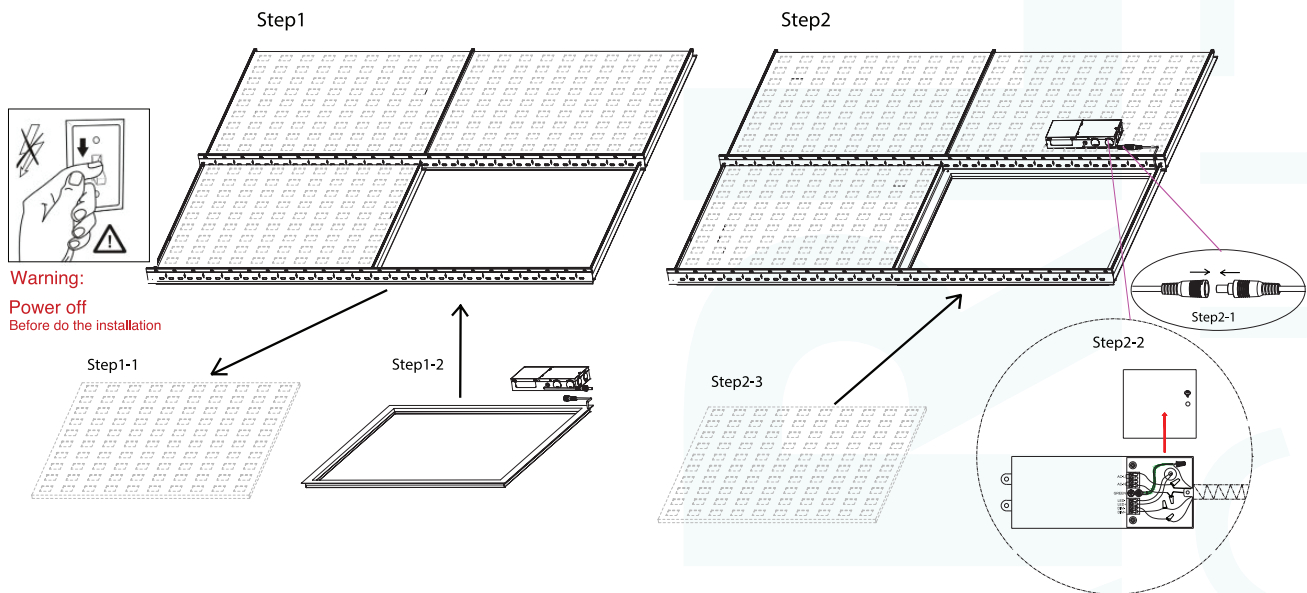


## STEP 1

MAKE SURE OF ALL THE POWER IS OFF BEFORE INSTALLING. REMOVE THE ONE CEILING TILE THAT YOU NEED TO INSTALL LIGHT FIXTURE ON, THEN PLACE THE LIGHT FIXTURE ON THE T-BAR CAREFULLY AND MAKE SURE IT IS CORRECTLY IN PLACE AND SECURE.

## STEP 2

PLACE THE DRIVER ON TOP OF THE NEXT CEILING TILE. CONNECT THE CABLE BETWEEN THE DRIVER AND THE LIGHTING FIXTURE.



## STEP 3

OPEN THE DRIVER'S JUNCTION BOX AND CONNECT THE AC WIRE TO THE DRIVER CORRECTLY (L=BLACK & N=WHITE)

## WARNING

MAKE SURE ALL THE POWER IS OFF BEFORE INSTALLATION. ALL THE INSTALLATIONS ARE REQUIRED TO BE DONE BY PROFESSIONALS.