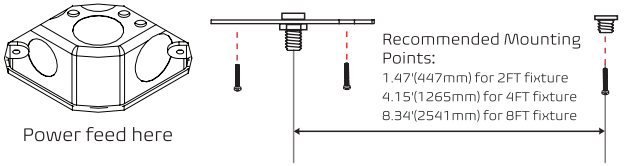


INSTALLATION FOR PENDANT INDEPENDENT

STEP 1 | INSTALL MOUNTING POINT

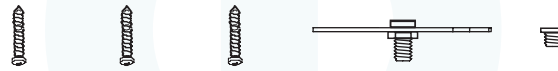
a. If the Junction box existed



b. Following accessories required for dry ceiling

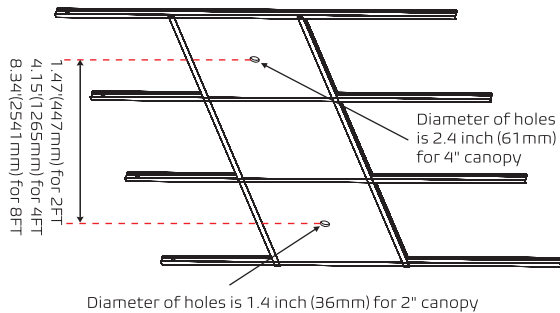


c. Following accessories required for wooden ceiling



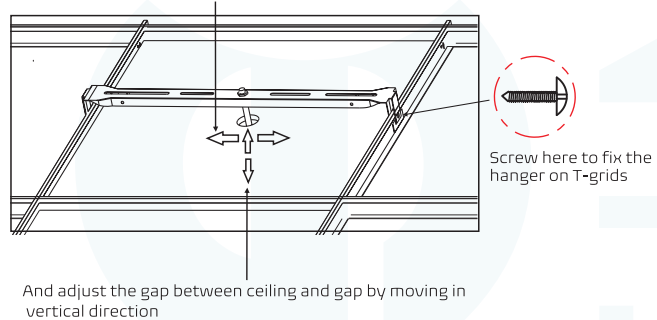
d. If mounting in drop ceiling

d-1. Make hole in the ceiling

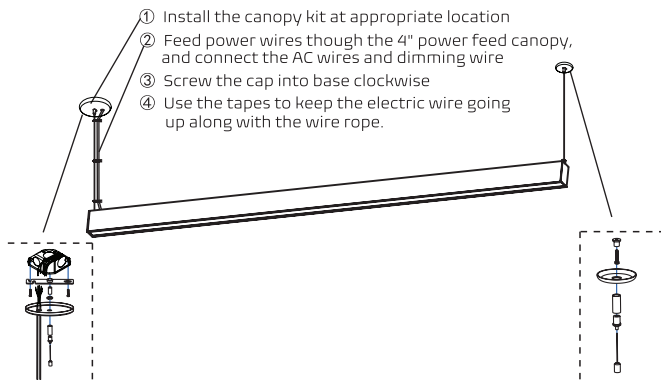


d-2. Install the T-grid hanger

Ceiling canopy mounting point by moving in lateral direction



STEP 2 | HANG LUMINAIRE

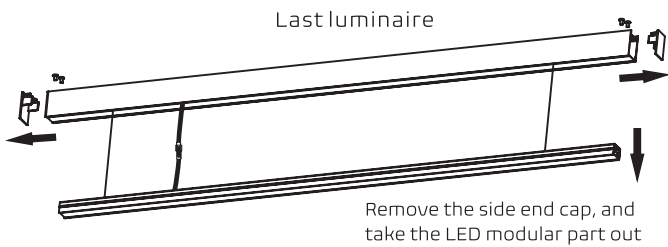
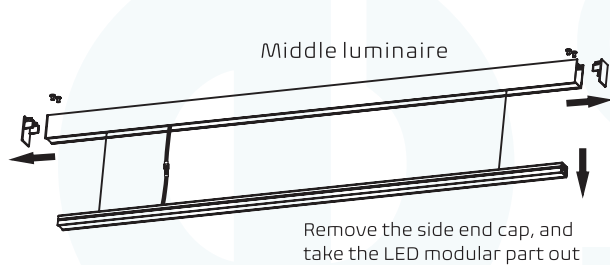
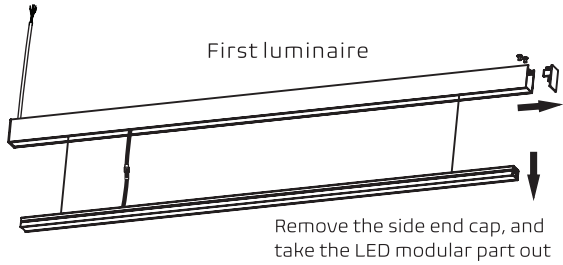


NOTES:

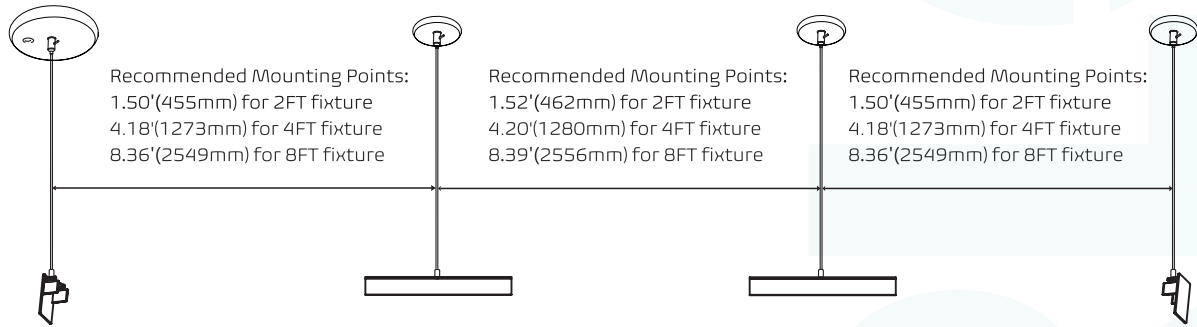
- INDOOR USE ONLY
- AVOID FALLING
- IF IN DOUBT CONSULT A QUALIFIED ELECTRICIAN. DO NOT DISASSEMBLE IT AT YOUR OWN DISCRETION.
- UNDER NO CIRCUMSTANCES CAN THE LIGHTING FIXTURE BE COVERED WITH HEAT INSULATION GASKET OR SIMILAR MATERIALS.
- THE MAXIMUM CONNECTION OF EACH INPUT LINE IS LESS THAN 80FT(2400CM) IN 230AC, LESS THAN 100FT(3000CM) IN 277AC, LESS THAN 40FT(1200CM) IN 120AC

INSTALLATION FOR PENDANT CONTINUOUS RUN

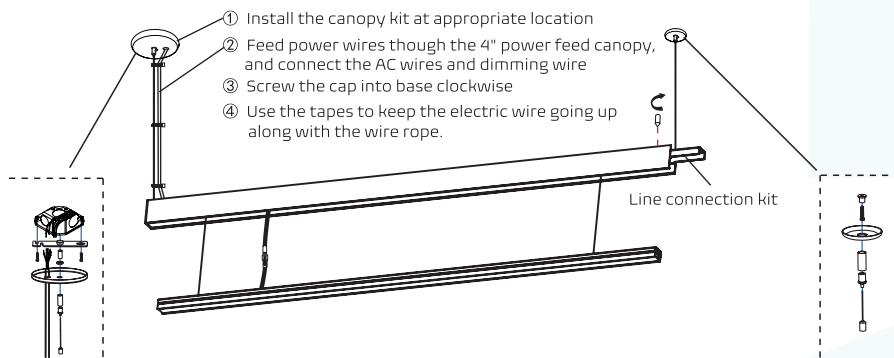
STEP 1 | TAKE OFF THE END CAP AND TAKE OUT THE LED MODULAR



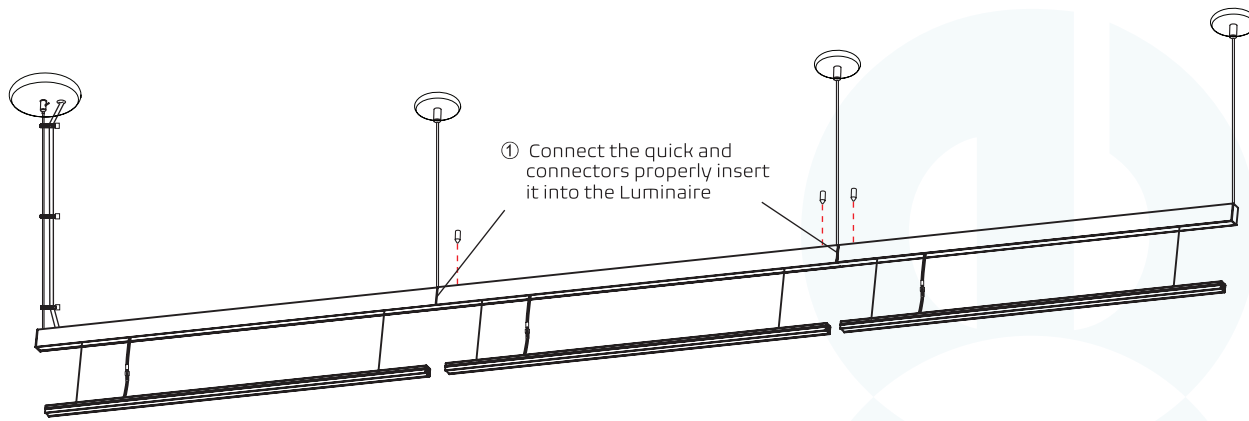
STEP 2 | INSTALL THE CANOPIES, CONNECTORS AND FORE AND AFT END CAPS



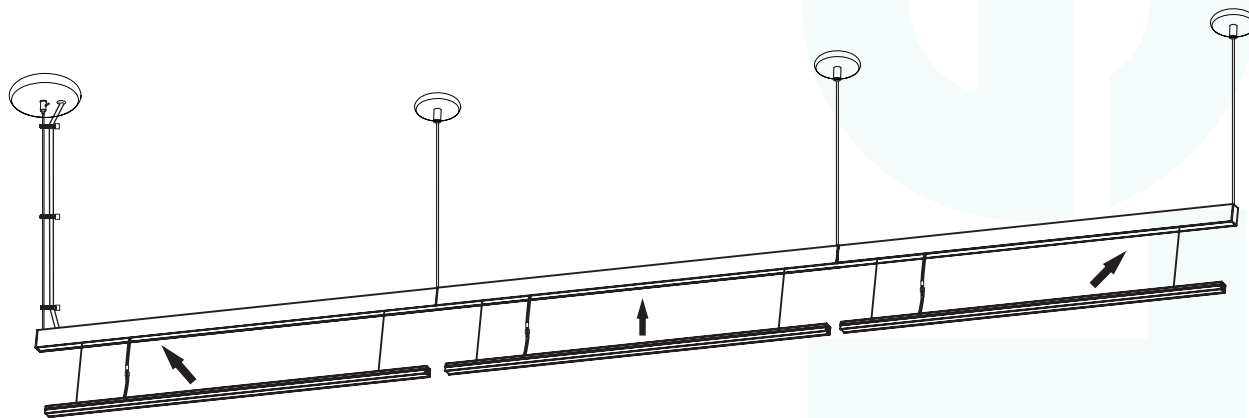
STEP 3 | INSTALL THE FIRST LUMINAIRE, THEN WIRING



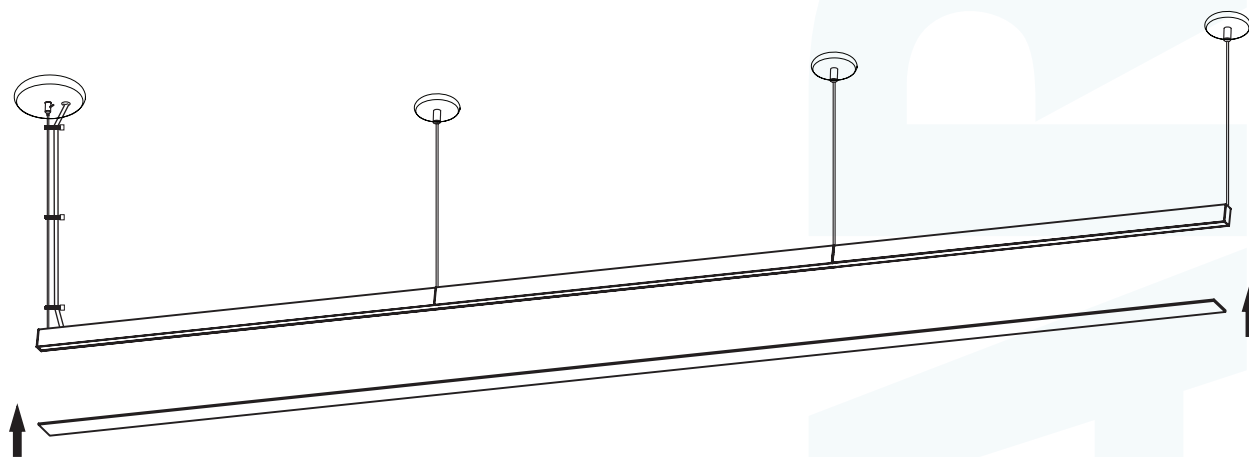
STEP 4 | CONNECT THE REST LUMINAIRES IN TURN



STEP 5 | PRESS THE LED MODULAR INTO HOUSING

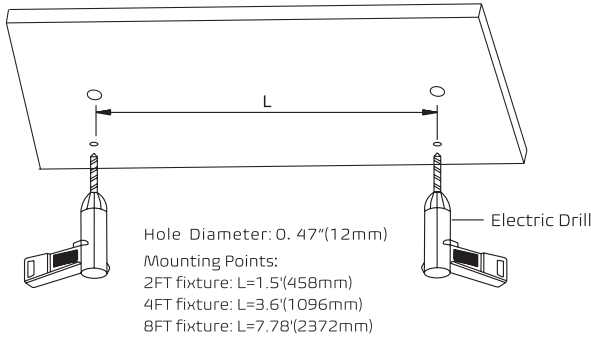


STEP 5* | IF CUSTOMIZE THE DIFFUSER, PRESS IT INTO THE LED MODULAR, THEN CLIPPING IN PLACE

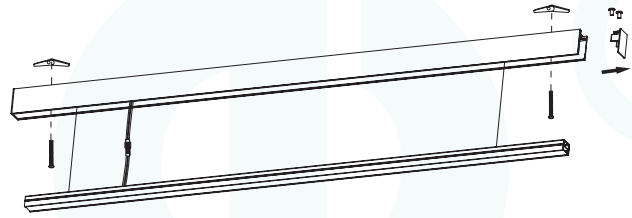


INSTALLATION FOR SURFACE MOUNTED INDEPENDENT

STEP 1 | MAKE HOLE IN THE CEILING

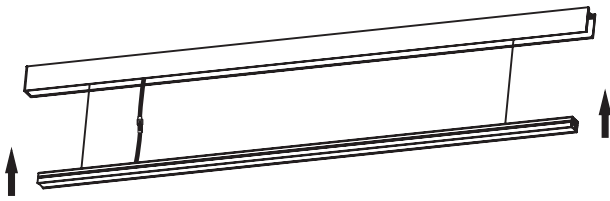


STEP 2 | INSTALL THE HOUSING IN THE CEILING



Remove the side end cap and the led modular part, then fix the housing onto ceiling with butterfly drywall anchor (Fix the housing with screws if it's wood ceiling)

STEP 3 | PRESS THE LED MODULAR INTO HOUSING AND CONNECT WIRES PROPERLY



STEP 4 | INSTALL THE END CAP INTO HOUSING

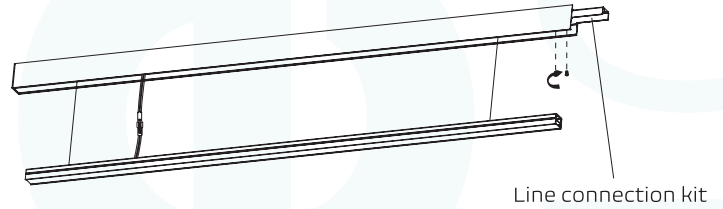


INSTALLATION FOR SURFACE MOUNTED CONTINUOUS RUN

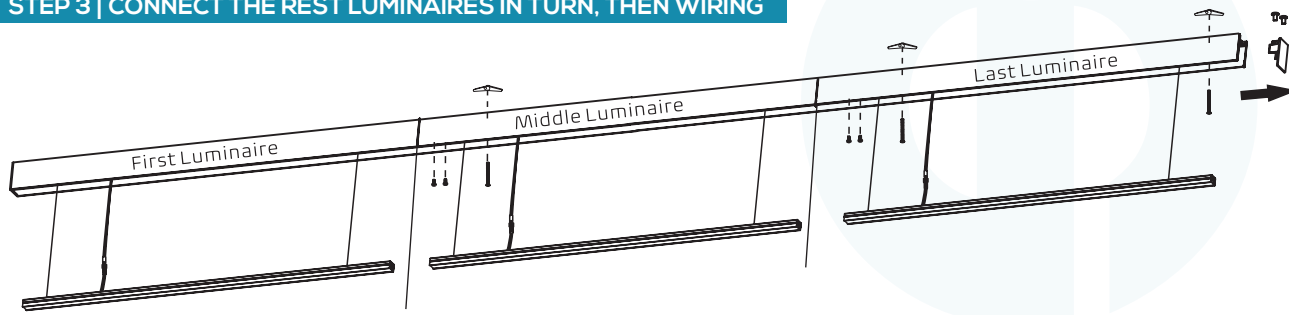
STEP 1 | ACCORDING TO THE "INDEPENDENT LUMINAIRE" STEPS TO INSTALL THE FIRST HOUSING



STEP 2 | INSERT THE LINE CONNECTION KIT INTO FIRST HOUSING

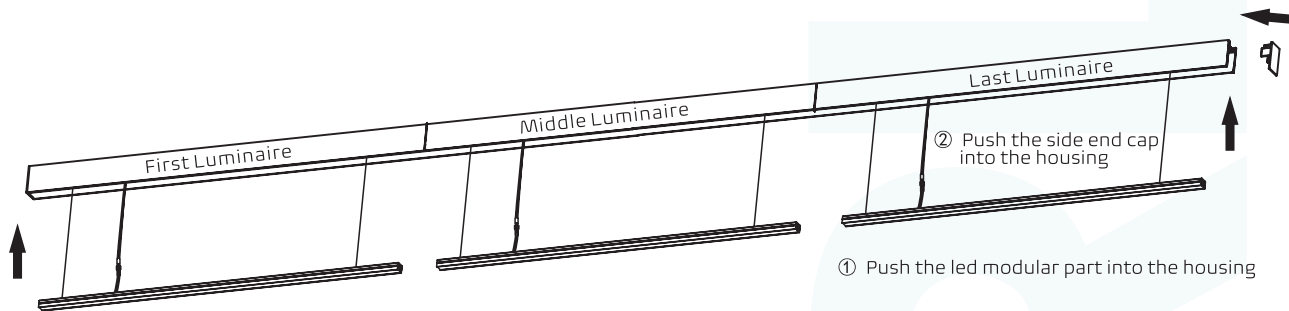


STEP 3 | CONNECT THE REST LUMINAIRES IN TURN, THEN WIRING

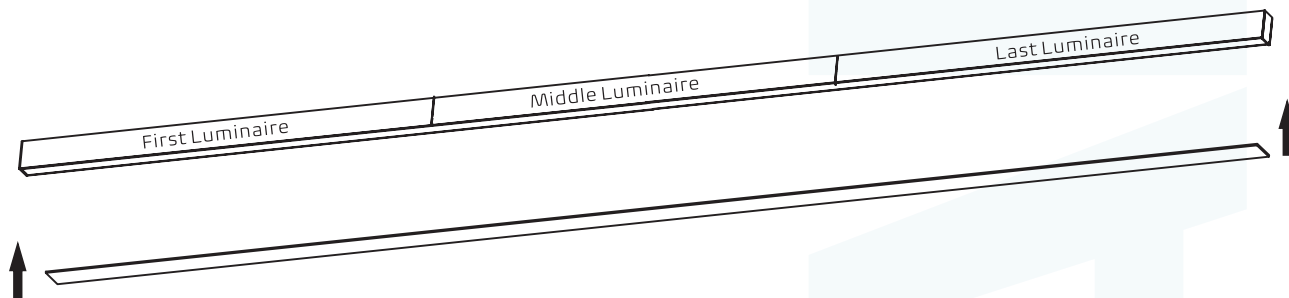


Connect the quick connectors properly and insert it into the Luminaire

STEP 4 | PRESS THE LED MODULAR INTO HOUSING, THEN INSTALL THE END CAP



STEP 4* | IF CUSTOMIZE THE DIFFUSER, PRESS IT INTO THE LED MODULAR, THEN CLIPPING IN PLACE



WIRING DIAGRAM

STEP 1

For 120/230/277V applications make the following Electrical Connections:

- a. Connect the black luminaire lead to the supply lead.
- b. Connect the white luminaire lead to the neutral supply lead.
- c. Connect the green or green/yellow ground lead to the green supply lead

STEP 2

- a. If Dimming is an option; connect the violet dimming positive lead to the supply dimming positive lead. If dimming is not being used, ensure to cap off the violet lead.
- b. If Dimming is an option; connect the grey dimming negative lead to the supply dimming negative lead. If dimming is not being used, ensure to cap off the grey lead.

CORD/ SUPPLY WIRING

