

PRODUCT DESCRIPTION

The Transparent Troffer, available in both 2 x 2 and 2 x 4, offers a traditional yet modern design with the latest lighting technology. Transparent optics engineered specifically for LED sources are integrated with minimalist design and architectural materials to create a broad range of solutions with superior optical and energy performance. High performing optics allows for maximum energy savings and optimal illumination in a ultra-minimalistic shallow recessed fixture, providing a unique translucent appearance without sacrificing performance. Long-life LED system coupled with an electrical driver delivers optimal performance. Standard drivers are 0-10 volt continuous dimming that work with 0-10V control/dimmer. Tunable color temperature and adjustable wattage provides flexible options.



FIXTURE ORDER STRUCTURE [EXAMPLE: TT/2/A]

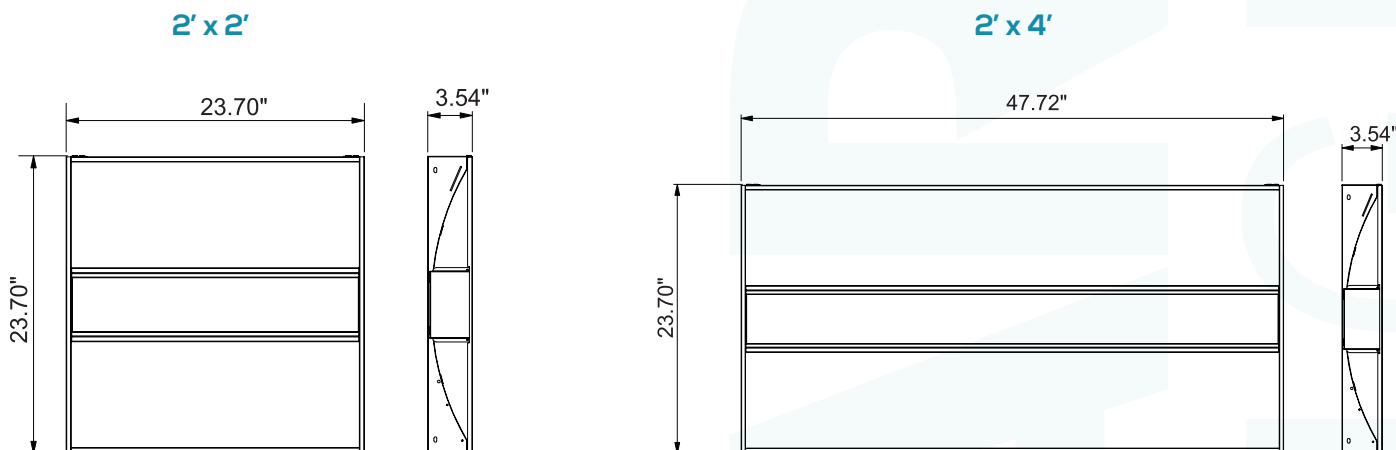
PRODUCT CATEGORY	LENGTH	CCT
TT= Transparent Troffer	2 = 2FT 4 = 4FT	A= 3000K, 3500K, 4000K B= 3000K, 4000K, 5000K

FIXTURE ORDER CODES

ORDER CODE	MODEL NUMBER	LENGTH	CCT
50511-AL	TT2A	2 FT	3000K, 3500K, 4000K
50512-AL	TT2B		3000K, 4000K, 5000K
50513-AL	TT4A	4 FT	3000K, 3500K, 4000K
50514-AL	TT4B		3000K, 4000K, 5000K

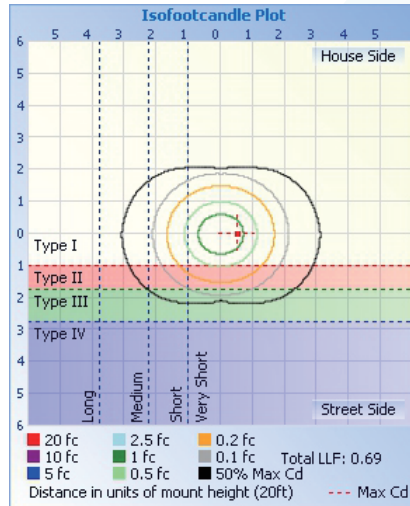
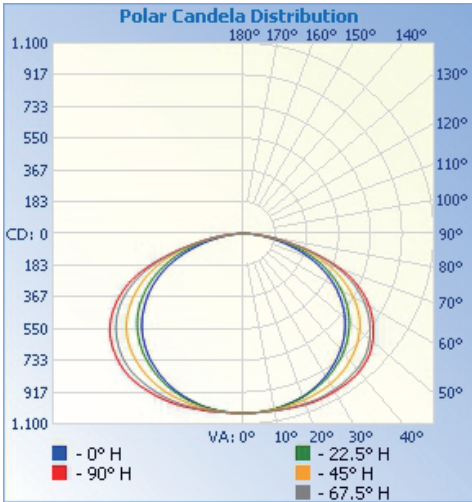
SPECIFICATIONS		TT-2 FT	TT- 4 FT
GENERAL PERFORMANCE	Input Power (W)	Adjustable 30W / 35W / 40W	Adjustable 30W / 40W / 50W
	Luminous Flux	3000LM / 3500LM / 4000LM	3000LM / 3500LM / 5000LM
	CRI	Ra>80	Ra>80
	CCT	3000K, 3500K, AND 4000K BY SWITCH 3000K, 4000K, AND 5000K BY SWITCH	3000K, 3500K, AND 4000K BY SWITCH 3000K, 4000K, AND 5000K BY SWITCH
	Efficacy	100LPW	100LPW
	Beam Angle	120	120
	Dimming	0-10V DIMMING	0-10V DIMMING
	Recommended Dimmers	DVTV(Lutron),IP710-DL(Lutron)	
	Standard Lifetime	50,000 HOURS	50,000 HOURS
ELECTRICAL	Input Voltage	100-277V	100-277V
	Power Factor	>0.9	>0.9
	Driver	INCLUDED	INCLUDED
	Emergency Backup	Available, sold separately	Available, sold separately
	Surge Protection	Inrush current max is 60A at 277V	Inrush current max is 60A at 277V
	IP Rating	IP20 damp rated	IP20 damp rated
PHYSICAL	Length	23.7"	47.72"
	Width	23.7"	23.7"
	Height	3.54"	3.54"
	Mounting	Recessed	Recessed
CERTIFICATION	Certification	UL	UL
	Warranty	5 years	5 years

DIMENSIONS



PHOTOMETRICS

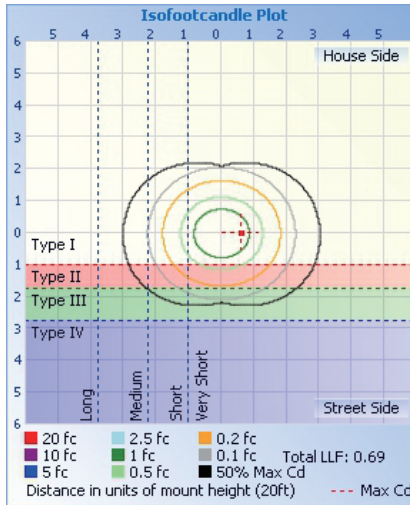
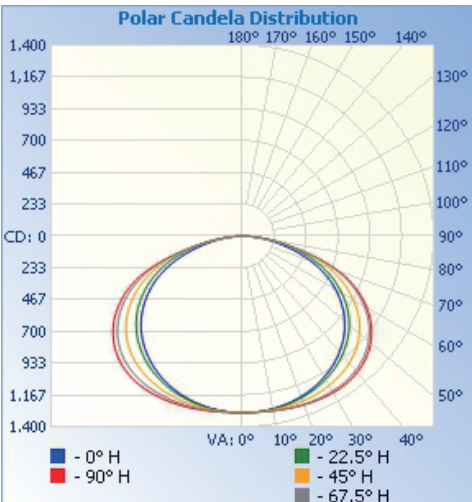
2' x 2'



Zone	Lumens	%Luminaire
0-30	862.2	21.3%
0-40	1,480.9	36.7%
0-60	2,922.6	72.3%
60-90	1,108.8	27.4%
70-100	484.5	12%
90-120	4.4	0.1%
0-90	4,031.5	99.8%
90-180	8.2	0.2%
0-180	4,039.7	100%

Zone	Lumens	% Total	Zone	Lumens	% Total
0-10	98.9	2.4%	90-100	1.6	0%
10-20	292.3	7.2%	100-110	1.4	0%
20-30	471.0	11.7%	110-120	1.4	0%
30-40	618.7	15.3%	120-130	1.4	0%
40-50	714.6	17.7%	130-140	1.0	0%
50-60	727.1	18.0%	140-150	0.7	0%
60-70	626.0	15.5%	150-160	0.4	0%
70-80	383.7	9.5%	160-170	0.2	0%
80-90	99.2	2.5%	170-180	0.1	0%

2' x 4'



Zone	Lumens	%Luminaire
0-30	1,080.9	36.5%
0-40	1,859.9	37%
0-60	3,679.7	72.2%
60-90	1,409.9	27.7%
70-100	619.9	12.2%
90-120	6.2	0.1%
0-90	5,089.5	99.8%
90-180	9.4	0.2%
0-180	5,098.9	100%

Zone	Lumens	% Total	Zone	Lumens	% Total
0-10	123.7	2.4%	90-100	2.8	0%
10-20	366.2	7.2%	100-110	1.9	0%
20-30	591.1	11.6%	110-120	1.5	0%
30-40	779.0	15.3%	120-130	1.1	0%
40-50	901.2	17.7%	130-140	0.8	0%
50-60	918.5	18.0%	140-150	0.6	0%
60-70	792.8	15.5%	150-160	0.4	0%
70-80	489.4	9.6%	160-170	0.3	0%
80-90	127.6	2.5%	170-180	0.1	0%