

NOTE

Please read this entire manual to fully understand and safely use this product. Specifications are subject to change without notice. Please visit our website the most recent user guide versions.

UNPACKING

1. Unpack and carefully examine the product.
2. Report any damage and save all packing materials if any part(s) were damaged during shipping.
3. Do not attempt to use this apparatus if it is damaged.

IMPORTANT SAFETY INFORMATION

Suitable for Damp location. Access above ceiling required. Do not install insulation within 51mm(2 in) of any part of the luminaire. Suitable for suspended ceilings.

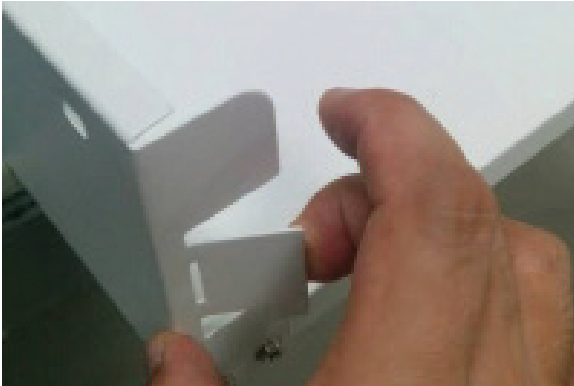
READ ALL INSTRUCTIONS BEFORE INSTALLATION

1. Consult a qualified electrician to ensure correct branch circuit conductor.
2. The product should be installed and operated by a qualified electrician or technician in accordance with relevant local codes.
3. Risk of electric shock. Ensure that main power source is off when wiring or soldering the sections of the product.
4. Before installing this fixture or doing any maintenance, make sure to turn off the power supply at the circuit breaker or fuse box.
5. Check to make sure that all fixture connections have been properly made and the fixture grounded to avoid potential electrical shocks.
6. Do not handle energized fixture when hands are wet, when standing on wet or damp surfaces, or in water.
7. This pane lights are normally set to work at extra low voltage below DC42V and constant current conditions to ensure safety to human body.
8. Designed for use in 100V~277V or 120V-347V,50-60Hz protected circuit. Apply class 2 power supply.

INCLUDED IN THIS BOX

LED Luminaire
Installation instruction

STEP 1 | BEND HANG BUCKLE BY 90° MAKING IT VERTICAL TO THE REAR COVER OF PANEL LIGHT. (SAME TO 4 HANG BUCKLES.)



STEP 2 | TURN OFF POWER, AND REMOVE THE CEILING PANEL.

STEP 3 | FOR POSITIONING, PLACE THE TROFFER INTO THE T-BAR. ENSURE THE TROFFER ARE ATTACHED TO THE CEILING.

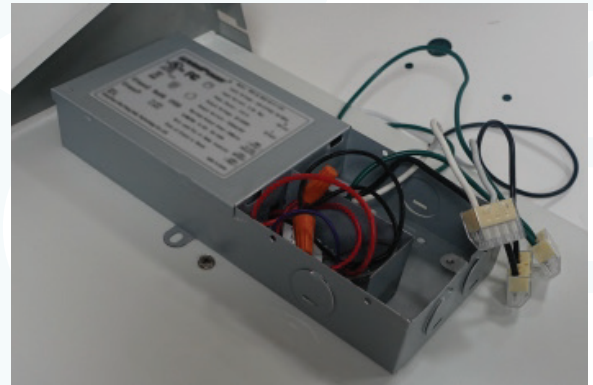


STEP 4 | OPEN THE DRIVER BOX

STEP 5 |
A. CONNECT AC WIRES. INPUT L CONNECTS TO THE BLACK WIRE OF THE LUMINAIRE, N CONNECTS TO THE WHITE WIRE, THE GROUND CONNECTS TO THE GREEN WIRE.

STEP 5 |
B. CONNECT DIMMER. COMPATIBLE WITH 0-10V DIMMER. THE DRIVER PUR (D+) TO THE DIMMER +(PUR), AND THE DRIVER GRY(D-) TO THE DIMMER- (GRY).

STEP 5 |
C. CONNECT THE WIRES WITH TERMINAL CAP AS SHOWN IN WIRING DIAGRAM.

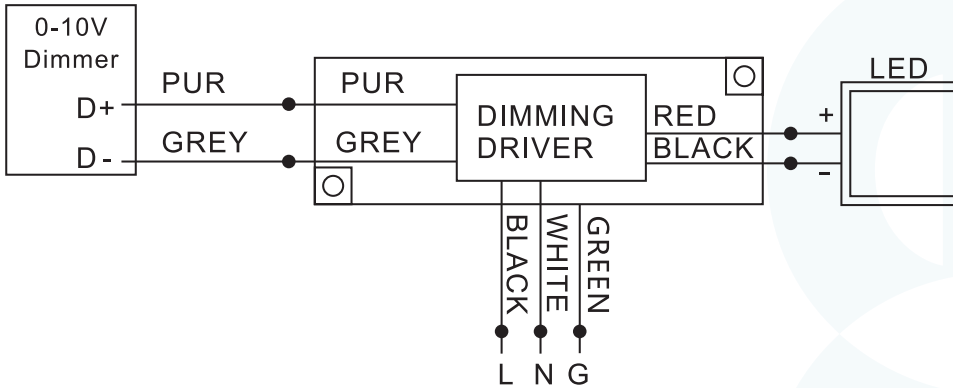


STEP 5 |
D. INCOMING INSULATED DIMMING CONDUCTORS SHALL HAVE VOLTAGE RATED AT LEAST TO THE BRANCH VOLTAGE

STEP 6 | CLOSE THE DRIVER BOX AND SCREW IN



WIRING DIAGRAM



WATTAGE ADJUSTABLE

2X2 FIXTURE PERFORMANCE		
<input type="checkbox"/> ON <input type="checkbox"/> OFF	<input type="checkbox"/> OFF <input type="checkbox"/> OFF	<input type="checkbox"/> OFF <input type="checkbox"/> OFF
1	2	3
Output Current: 1000mA	Output Current: 890mA	Output Current: 760mA
Power: 40W	Power: 35W	Power: 30W

2X4 FIXTURE PERFORMANCE		
<input type="checkbox"/> ON <input type="checkbox"/> OFF	<input type="checkbox"/> ON <input type="checkbox"/> OFF	<input type="checkbox"/> ON <input type="checkbox"/> OFF
1	2	3
Output Current: 1100mA	Output Current: 890mA	Output Current: 680mA
Power: 50W	Power: 40W	Power: 30W