



PRODUCT DESCRIPTION

Featuring new generation in lighting solutions, the T-Grid Linear LED lighting system is a unique design which connects it seamlessly to various T-Grid ceilings. It offers lighting designers the freedom to create innovative and functional designs with the various possible configurations. The slot version is available in 2' and 4' units for 9/16" slot ceiling grids with a remote driver, which parallelly connect up to 3 T-Grid linear pcs per driver. Cords can come in plenum and non plenum rated.



FIXTURE ORDER STRUCTURE

[EXAMPLE: TGLS/2/D/10W/30K/A/S]

PRODUCT CATEGORY	LENGTH	DIMMING	FIXTURE WATTAGE	CCT	WIDTH
TGLS= T Grid Linear Slot Grid	2 = 2FT 4 = 4FT	D = Dimmable	10w = 2FT 20w = 4FT	30 = 3000k 35 = = 3500k 40 = 4000k 50 = 5000k	A = 9/16"

FIXTURE ORDER CODES

ORDER CODE	MODEL NUMBER	LENGTH	WATTAGE	CCT	WIDTH
50465-AL	TGLS/2/D/10W/30K/A	2 FT	10W	3000K	9/16"
50466-AL	TGLS/2/D/10W/35K/A		10W	3500K	9/16"
50467-AL	TGLS/2/D/10W/40K/A		10W	4000K	9/16"
50468-AL	TGLS/2/D/10W/50K/A		10W	5000K	9/16"
50469-AL	TGLS/4/D/20W/30K/A	4 FT	20W	3000K	9/16"
50470-AL	TGLS/4/D/20W/35K/A		20W	3500K	9/16"
50471-AL	TGLS/4/D/20W/40K/A		20W	4000K	9/16"
50472-AL	TGLS/4/D/20W/50K/A		20W	5000K	9/16"

DRIVER ORDER STRUCTURE

[EXAMPLE: TGLD30W]]

PRODUCT CATEGORY	DRIVER	DRIVER WATTAGE	DRIVER REQUIRED WITH ALL TGL PRODUCTS
TGL = TGrid Linear	D = Driver	30w = for 2 FT fixtures 60w = for 4 FT fixtures	30W DRIVER = 1 FOR 3 OF 2FT LINEARS 60W DRIVER = 1 FOR 3 OF 4FT LINEARS

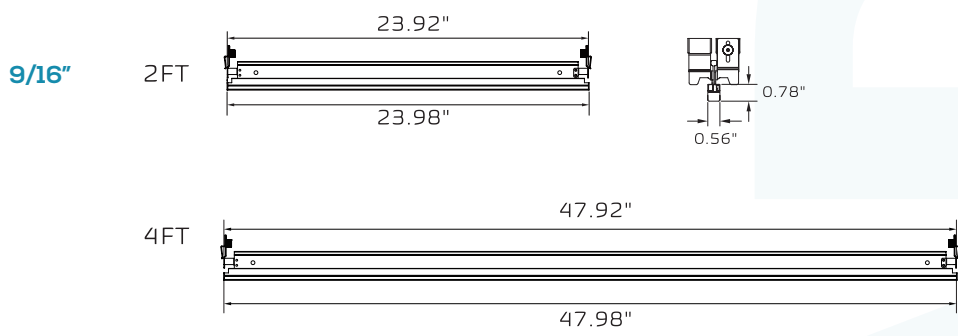
DRIVER ORDER CODES

ORDER CODE	MODEL NUMBER	DLC PRODUCT ID	WATTAGE
50438-AL	TGLD30W	INCLUDED WITH FIXTURE	30W
50447-AL	TGLD60W	INCLUDED WITH FIXTURE	60W

SPECIFICATIONS

		9/16"	
		2 FT	4 FT
GENERAL PERFORMANCE	Input Power (W)	10 WATTS	20 WATTS
	Luminous Flux	1100 LM	2200 LM
	CRI	80	
	CCT	3000K / 3500K / 4000K / 5000K	
	Efficacy	110LPW	
	Beam Angle	120	
	Dimming	0-10V DIMMING	
	Recommended Dimmers	DIVA(Lutron), NOVA-NTSTV-TV(Lutron)	
	Standard Lifetime	50,000 HOURS	
ELECTRICAL	Input Voltage	100-277V	
	Power Factor	>0.9	
	Driver	1 FOR 3 UNITS	
	Surge Protection	Inrush current max is 60A at 277V	
	Emergency Backup	Available, sold separately	
	IP Rating	IP20 damp rated	
PHYSICAL	Length	23.98"	47.98"
	Width	9/16"	
	Mounting	Universal Grid Clips	
	T-grid Ceiling Compatibility	Silhouette® 1/4" XL, Silhouette® 1/8" XL	
CERTIFICATION	Certification	UL	
	Warranty	5 YEARS	

DIMENSIONS



PHOTOMETRICS

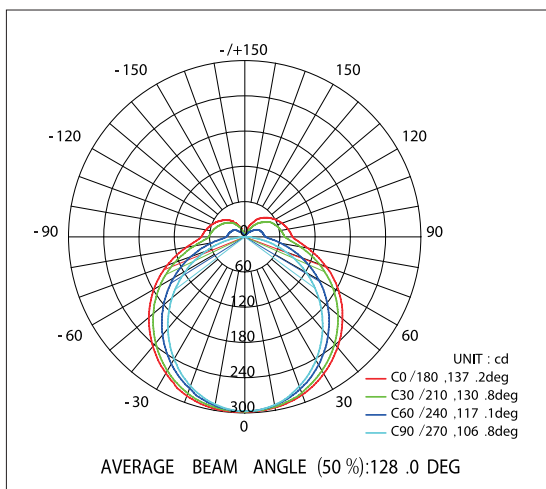
9/16"

PHOTOMETRY

Fixture photometry has been conducted accredited testing laboratory in accordance with IESNA LM-79-08. IESNA LM-79-08 specifies the entire luminaire as the source resulting in a fixture efficiency of 100%. Result may vary per actual order.

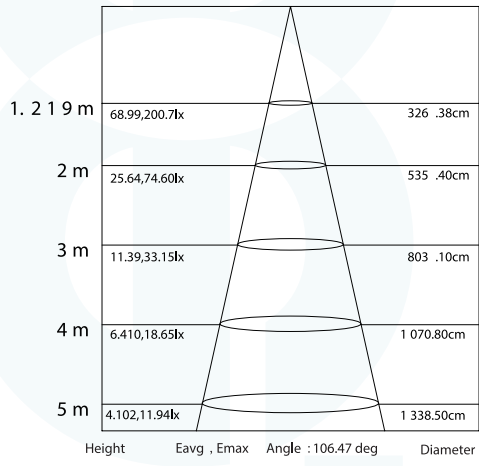
LUMINOUS INTENSITY DISTRIBUTION DIAGRAM

TB2-DM-XXF (Flat)



AVERAGE ILLUMINANCE CURVE

Flux out : 6103. lm



Note :The Curves indicate the illuminated area and the average illumination when the luminaire is at different distance .