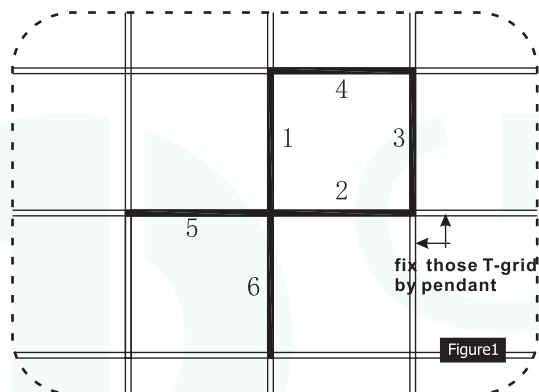


STEP 1

REMOVE THE RELATED T-GRID FROM THE DROP CEILING ACCORDING TO YOUR SHAPE DESIGN. FOR EXAMPLE, FOR "□" SHAPE, REMOVE THE NO.1, NO.2, NO.3 AND NO. 4 T-GRID; FOR "+" SHAPE, REMOVE THE NO.1, NO.2, NO.5 AND NO. 6 T-GRID;

PLS NOTE: THE ADJACENT T-GRID MUST BE FIXED BY THE PENDANT. (FIGURE 1)



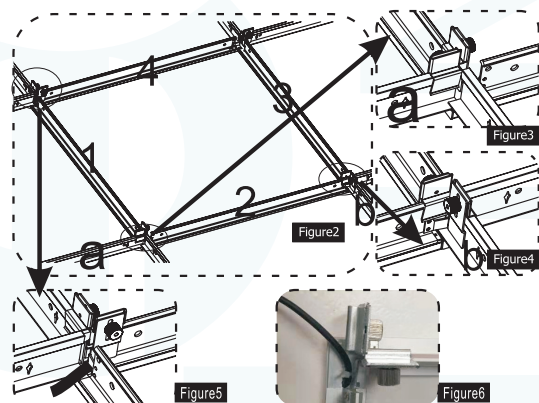
STEP 2

THE "L" SHAPE INSTALLATION STEPS:

FIRSTLY, FOR THE NO.1 LIGHT FIXTURE, FIX THE WIRE-END OF THE NO.1 LIGHT FIXTURE BY PENDANT AND THE NON- WIRE -END ON THE "A" T-GRID. SECONDLY, FIX THE NO. 2 LIGHT FIXTURE ON THE NO. 1 LIGHT FIXTURE WITH THE WIRE END, AND THE NON-WIRE END ON THE "B" T-GRID.

THE "└" SHAPE INSTALLATION STEPS :

FOLLOW UP THE "L" SHAPE INSTALLATION, USING THE SAME METHOD AS "L" SHAPE DID, INSTALL THE NO. 3 AND NO.4 LIGHT FIXTURE. PLEASE NOTE: ALL THE WIRES OF THE LIGHT FIXTURE NEED TO BE PUT OUTSIDE OF THE SHAPE. (FIGURE 5 AND FIGURE 6)



STEP 3

THE "T" SHAPE INSTALLATION STEPS:

FIRSTLY, INSTALL THE NO.1 LIGHT FIXTURE, FIX THE WIRE-END OF THE LIGHT FIXTURE ON THE "D" T-GRID AND THE NON-WIRE-END BY PENDANT; SECONDLY, FIX THE WIRE-END OF THE NO. 2 LIGHT FIXTURE ON THE NO. 1 LIGHT FIXTURE. AND THE NON WIRE-END OF THE FIXTURE ON THE "E" T-GRID. USING THE SAME METHOD, FIX THE WIRE-END OF THE NO. 5 LIGHT FIXTURE ON THE "G" T-GRID, AND THE NON-WIRE-END ON THE "F" T-GRID.

THE "+" SHAPE INSTALLATION STEPS :

FOLLOW UP THE "T" SHAPE INSTALLATION, AND THEN REPLACE THE "F" T-GRID WITH ONE LIGHT FIXTURE. (FIGURE 7, FIGURE 8 AND FIGURE 9)

