

SAFETY AND WARNINGS

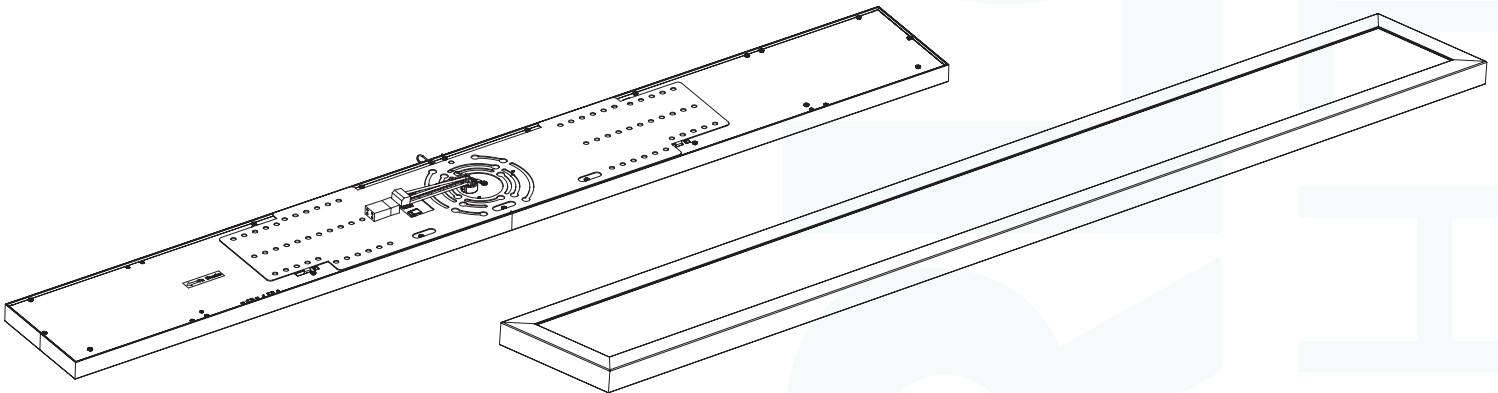
1. READ ALL INSTRUCTIONS.
2. INSTALL IN ACCORDANCE WITH NATIONAL AND LOCAL ELECTRICAL CODE REGULATIONS.
3. THIS PRODUCT IS INTENDED TO BE INSTALLED AND SERVICED BY A QUALIFIED, LICENSED ELECTRICIAN.
4. DO NOT INSTALL IN WET LOCATIONS. FOR DRY AND DAMP USE ONLY.
5. TURN OFF ELECTRICAL POWER BEFORE INSTALLING OR SERVICING FIXTURE IN ANY WAY.
6. TO REDUCE THE RISK OF FIRE AND OVERHEATING, MAKE SURE ALL CONNECTIONS ARE TIGHT.
7. FOLLOW LABEL INFORMATION AND INSTRUCTIONS CONCERNING WET OR DAMP LOCATIONS, INSTALLATION NEAR COMBUSTIBLE MATERIALS, INSULATION, BUILDING MATERIALS, AND PROPER LAMPING. DO NOT INSTALL IN AREAS SUBJECT TO COMBUSTIBLE VAPORS OR GASES.



SHOCK HAZARD! May result in serious injury or death. Turn power OFF at circuit breaker prior to installation or servicing.

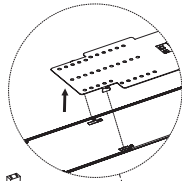
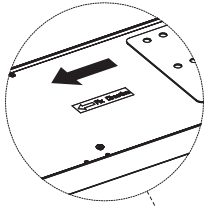


DO NOT PINCH OR PUT EXCESSIVE TENSION ON WIRES while joining sections or reattaching end caps.

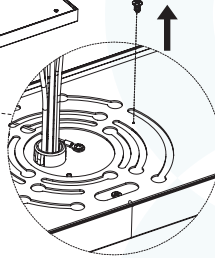


STEP 1 | PREPARE THE FIXTURE

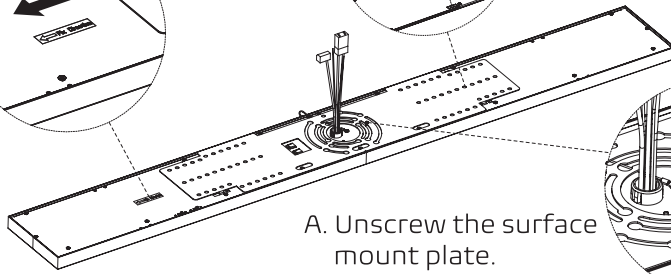
B. Slide the surface mount plate towards the arrow.



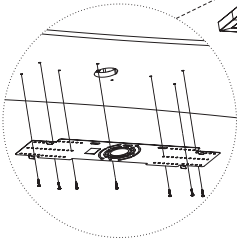
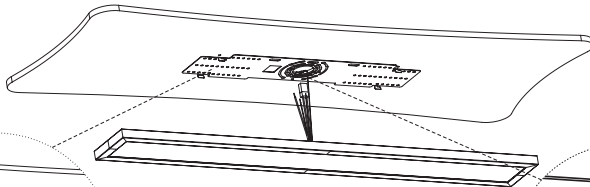
C. Remove the surface mount plate.



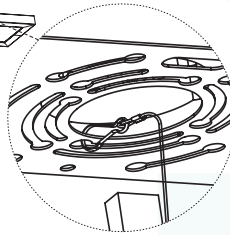
A. Unscrew the surface mount plate.



STEP 2 | ATTACH THE SURFACE MOUNT PLATE

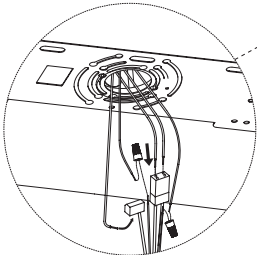
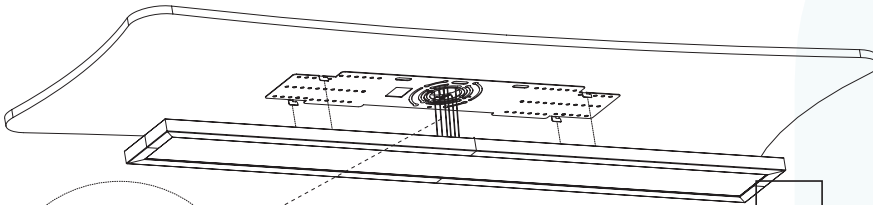


A. Install the surface mount plate to the ceiling.

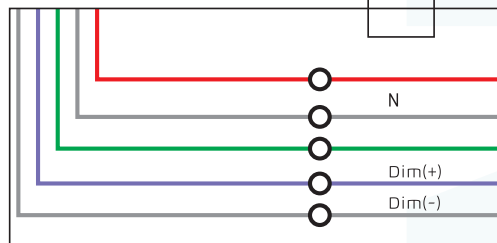


B. Mount the safety cable.

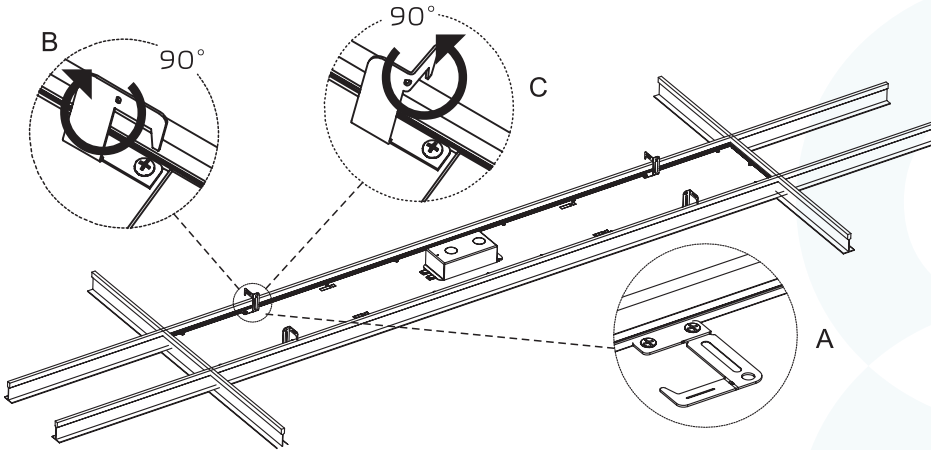
STEP 3 | PROPER WIRE CONNECTIONS AND MOUNT THE FIXTURE



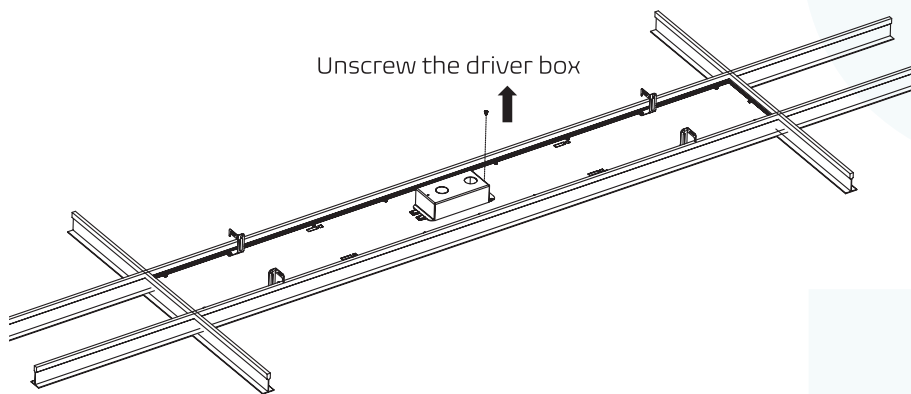
Wire connections



STEP 4 | ADJUST THE FIXTURE ANGLE AND BEND THE CLIPS



STEP 5 | REMOVE THE DRIVER BOX AND READY FOR WIRE CONNECTIONS



STEP 6 | PROPER WIRE CONNECTIONS

